

**THE PRODUCTION
DRILLING SOLUTION**

AutoDrill™

5000 AutoDrill Series

The **5000 AutoDrill** series is designed for automatic drilling of larger holes and other heavy duty operations. It comes standard with features that make it easy to setup, adjust and maintain. All operations are performed with a standard electric motor and a small volume of shop air. This keeps the operating costs to a minimum.



Some of the many uses of the 5000 AutoDrill series are:

- Plate and structural steel hole drilling operations
- Drilling multiple holes with a single unit
- Flow drilling
- High thrust applications
- Multi-wall drilling operations
- Deep hole operations up to 6"
- Precision depth control applications
- Operations requiring all position mounting
- Operations requiring through the spindle coolant
- Large Morse Taper tooling requirements



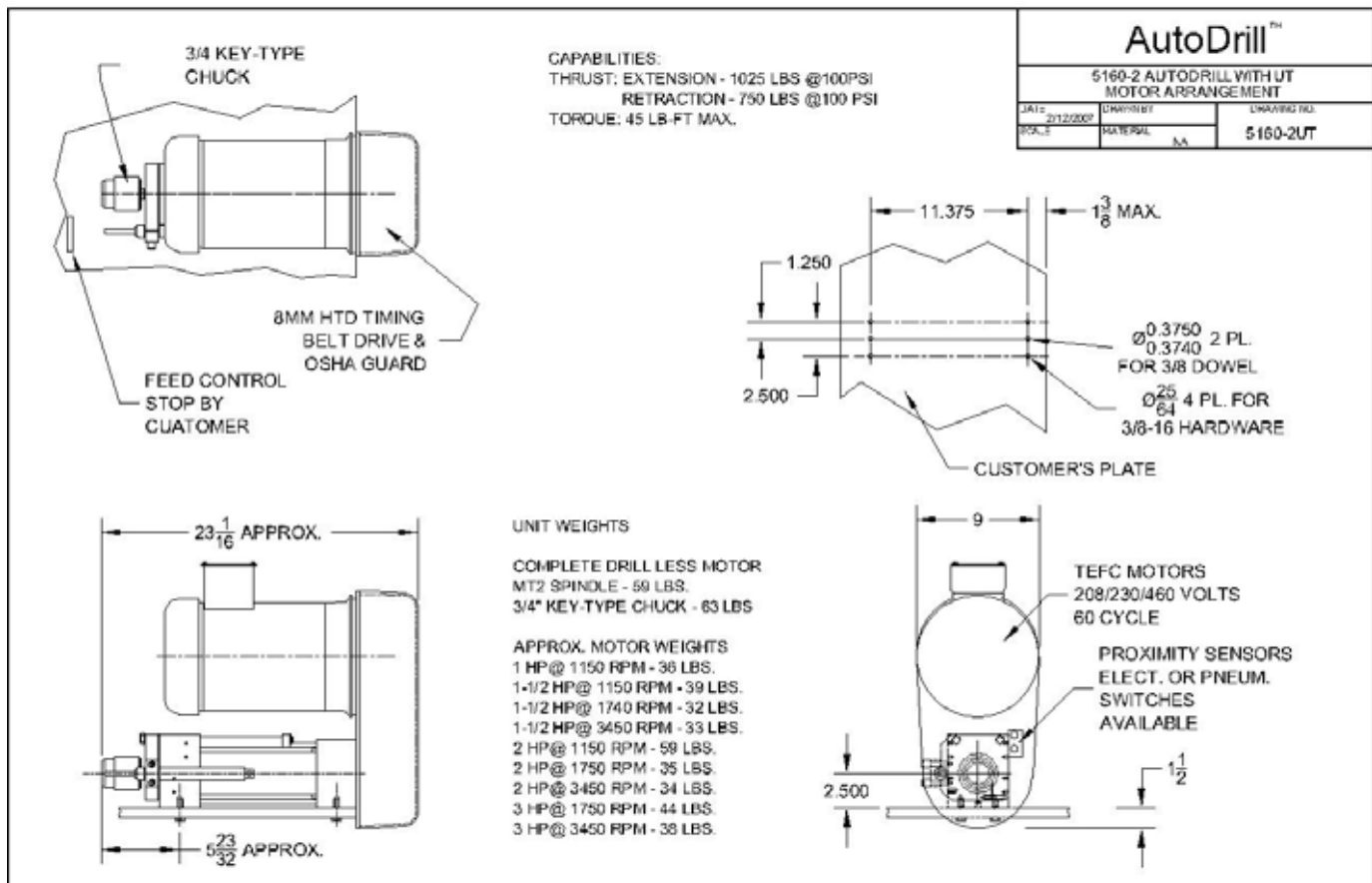
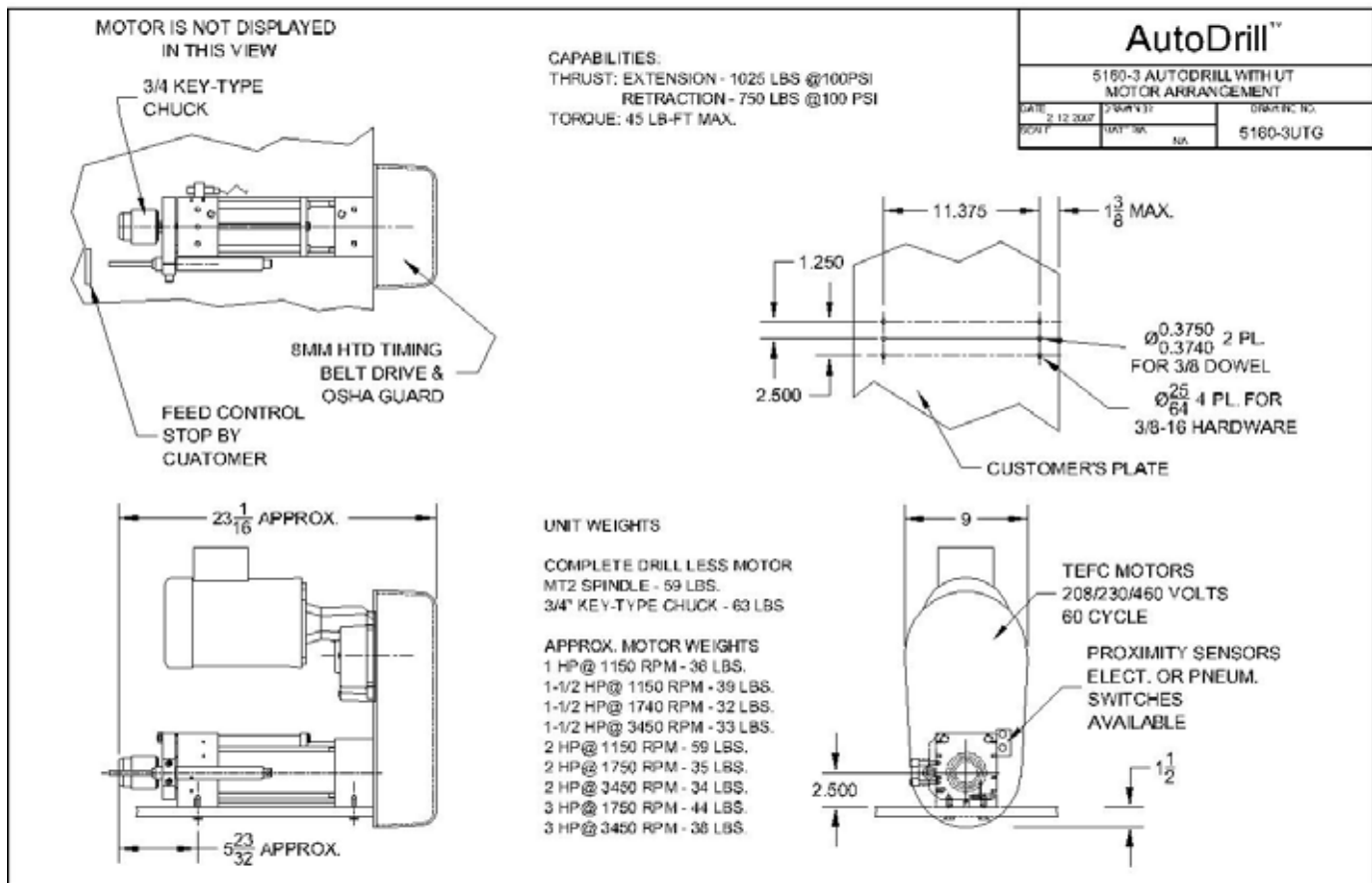
5100-5200 AutoDrill Series

The **5100 AutoDrill** series is based on the **5000 AutoDrill** series with the addition of a Hydro Speed feed control. This additional control is useful when a clean hole breakthrough, improved hole roundness in thin sections, precision depth control operations, larger holes or when two-speed operation are desired.

Two-speed feed rate is standard. The pneumatic controls manage the less critical work approach and the Hydro Speed cylinder, when its' rod contacts the customer's stop, manages the critical work penetration and break-thru rate. The cylinder does not increase the width of the unit. This feature is appreciated when drilling closely spaced holes. Maintenance is also simplified since it can be adjusted or replaced without disturbing the AutoDrill body.

The **5200 AutoDrill** series has all of the features as the **5100 AutoDrill** series except it is specifically designed to work with our stock **Adjustable Spindle** and custom **Fixed Spindle Pattern heads**.

Call Toll Free 800-871-5022 For More Information



AutoDrill™

50 Division Avenue Millington, NJ 07946 Ph. 800-871-5022 Fax 908-542-0242

Websites www.AutoDrill.com, www.Multi-Drill.com E-Mail Info@AutoDrill.com